

HONDA

INSTALLATION INSTRUCTIONS

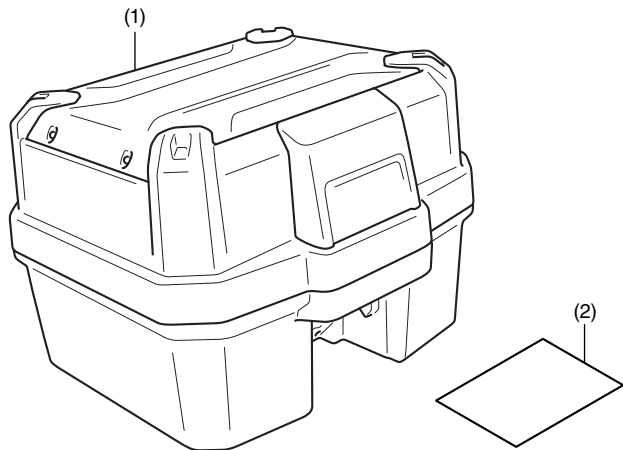
Accessory
TOP CASE
 (Wave key type)
 P/N 08L71-MJP-A60

Application
CRF1000L/LD

Publication No.
MII 15641
 Issue Date
February 2016

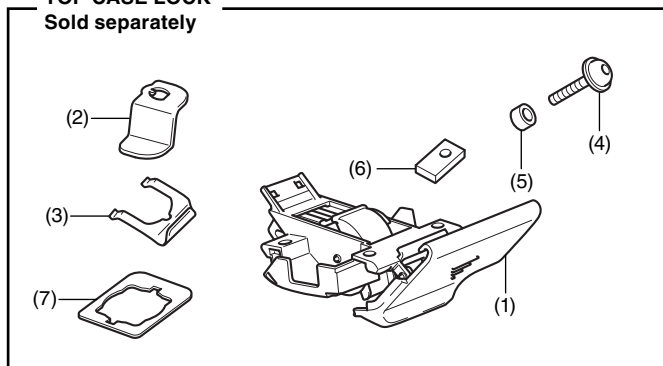
Honda Dealer: Please give a copy of these instructions to your customer.

PARTS LIST



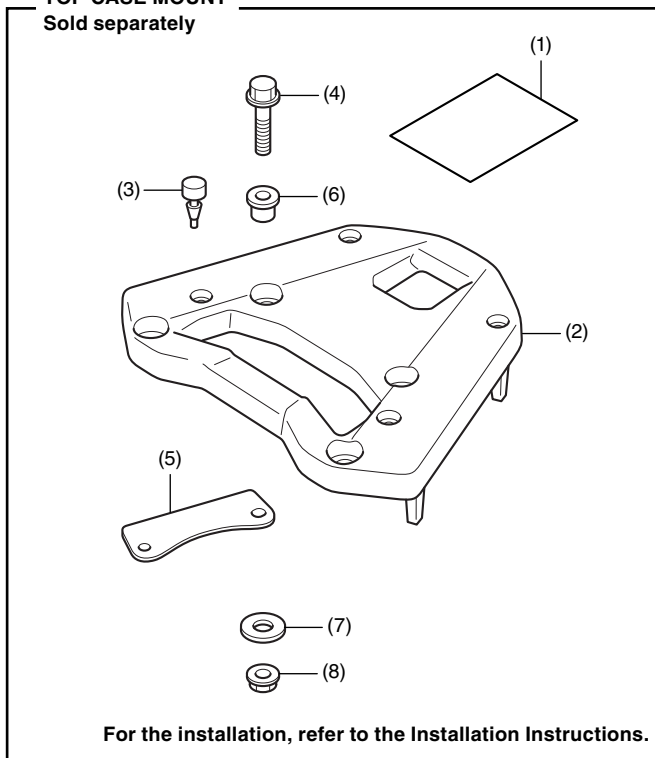
No.	Description	Qty
(1)	Top case	1
(2)	Installation instruction URL	1

TOP CASE LOCK Sold separately



No.	Description	Qty
(1)	Lock assembly	1
(2)	Cam plate	1
(3)	Key lock spring	1
(4)	6 mm socket bolt	4
(5)	Collar	4
(6)	6 mm square nut	4
(7)	Key lock washer	1

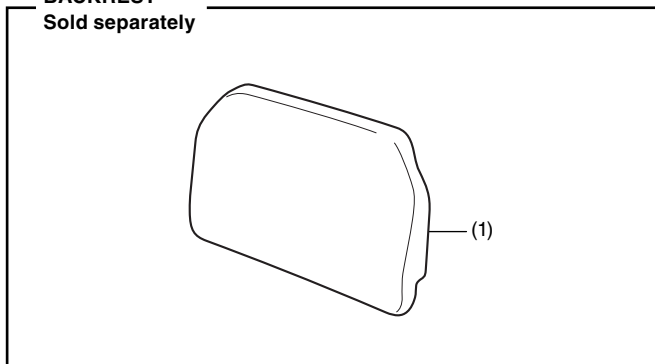
TOP CASE MOUNT Sold separately



For the installation, refer to the Installation Instructions.

No.	Description	Qty
(1)	Installation instruction URL	1
(2)	Mount base	1
(3)	Rubber	4
(4)	8 mm flange bolt	4
(5)	Plate	2
(6)	Flange collar	8
(7)	Washer	4
(8)	8 mm flange nut	4

BACKREST Sold separately

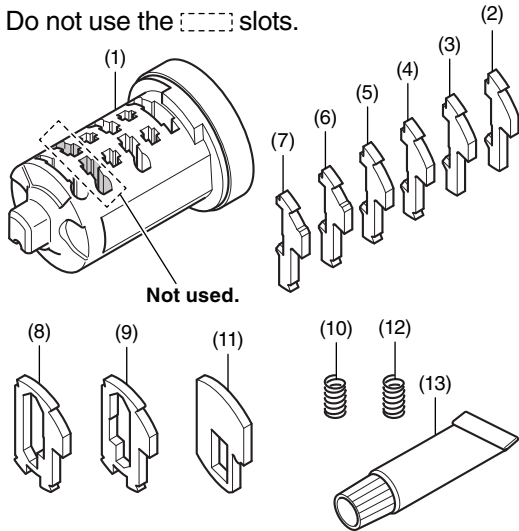


No.	Description	Qty
(1)	Backrest	1

1 KEY INNER CYLINDER (Wave key type)

Sold separately

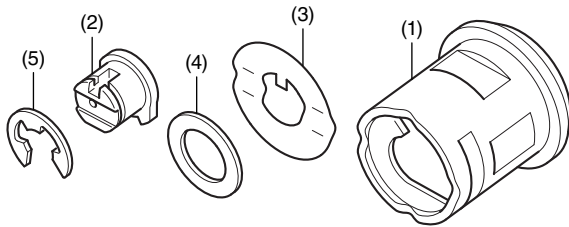
- Do not use the [dashed] slots.



No.	Description	Qty
(1)	Inner cylinder	1
(2)	No.1 tumbler	6
(3)	No.2 tumbler	6
(4)	No.3 tumbler	6
(5)	No.4 tumbler	6
(6)	No.5 tumbler	6
(7)	No.6 tumbler	6
(8)	Sub-lock tumbler A	1
(9)	Sub-lock tumbler B	1
(10)	Spring (Silver)	13
(11)	Stopper tumbler	2
(12)	Stopper spring (Black)	2
(13)	Grease	1

1 KEY BODY PARTS

Sold separately



No.	Description	Qty
(1)	Cylinder body	1
(2)	Inner joint	1
(3)	Spring plate	1
(4)	Washer	1
(5)	E-ring	1

TOOLS AND SUPPLIES REQUIRED

- Hex wrench (4 mm)
- Long nose pliers
- Isopropyl alcohol
- Shop towel
- Torque wrench

TORQUE CHART

Tighten all screws, bolts, and nuts to their specified torque values. Refer to the Service Manual for the torque values of the removed parts.

Item	N-m	kgf-m	lbf-ft
6 mm socket bolt	10	1.0	7

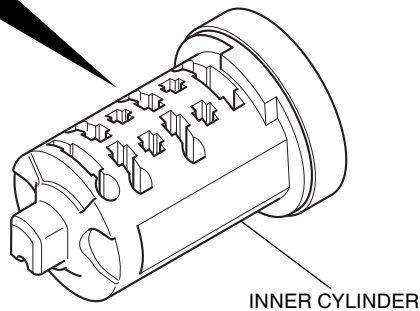
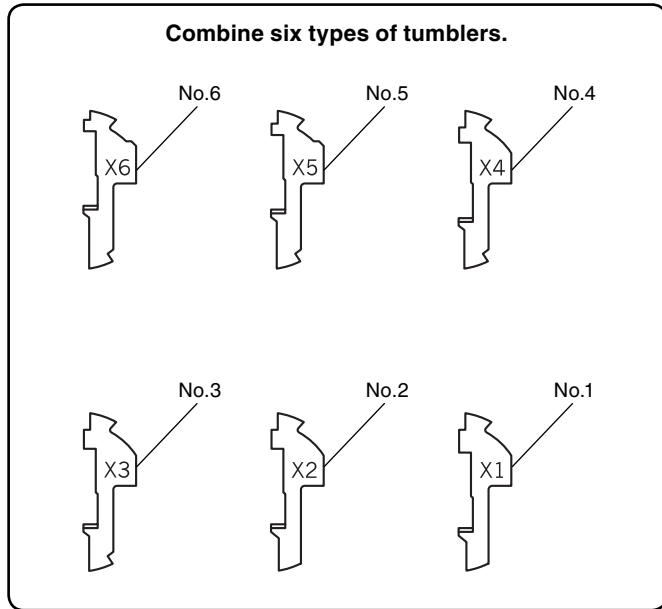
MAXIMUM LOADING CAPACITY

- The weight of the cargo must not exceed the following maximum loading capacity:

Maximum Loading Capacity	
Top case	6.0 kg (13.2 lb)

< Notes regarding the key cylinder >

- This product is used to assemble a key cylinder matching the motorcycle key by combining six types of tumblers.
- When this key cylinder is installed in a case or similar equipment, the installed equipment can be operated with the motorcycle key.



INSTALLATION

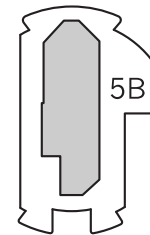
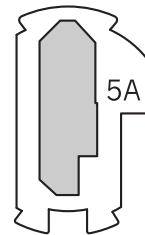
NOTE:

- Heat the bonding surfaces with a hair dryer if the ambient air temperature is below 70°F (21°C).
- The adhesive reaches full strength in 72 hours. Wait at least 24 hours before riding your motorcycle.

- The two sub-lock tumbler types shown are provided.
 - The part has a different slot for each of the two sub-lock tumbler types.
 - As the tumblers are small, keep them in the bag until they are used.

SUB-LOCK TUMBLER A

SUB-LOCK TUMBLER B

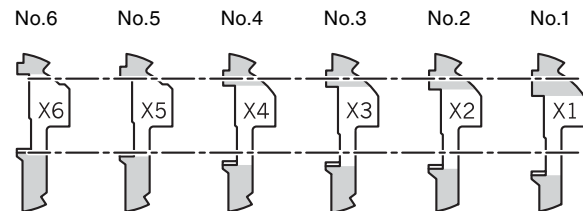


The stopper tumbler will be used later.

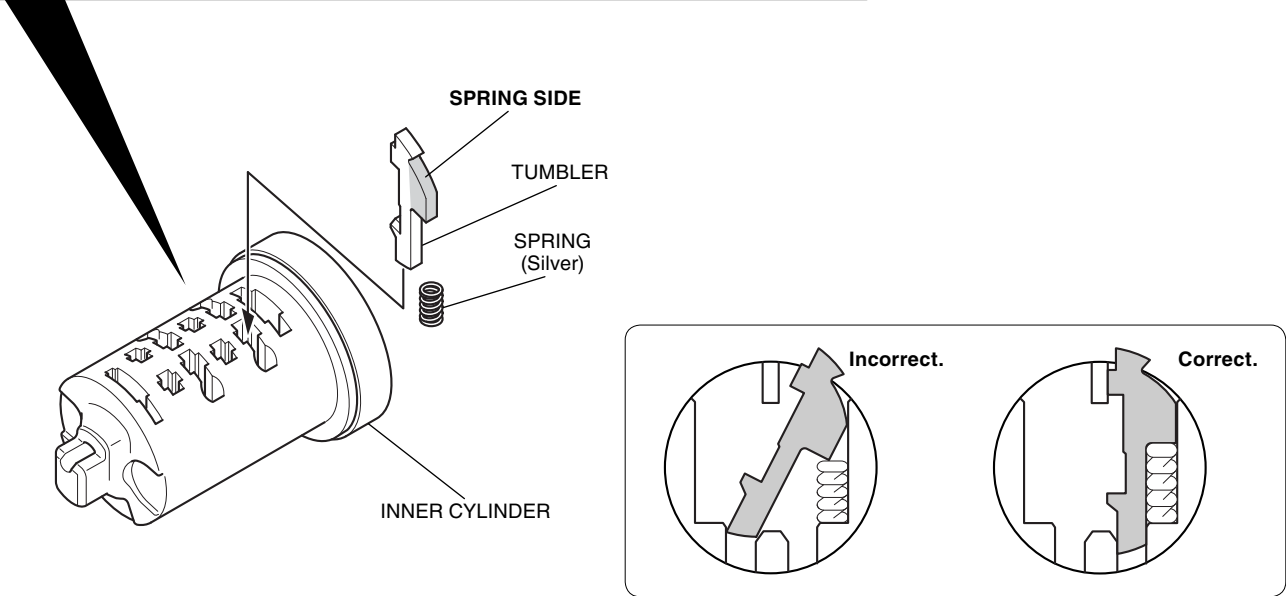
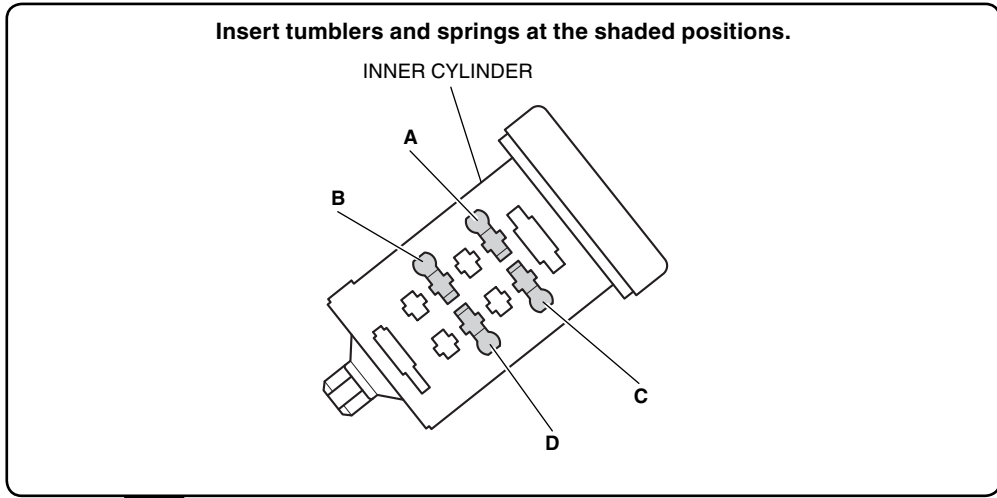
STOPPER TUMBLER



- The six tumbler types shown are provided.
 - The part has a different width for each of the six tumbler types.
 - As the tumblers are small, keep them in the bag until they are used.

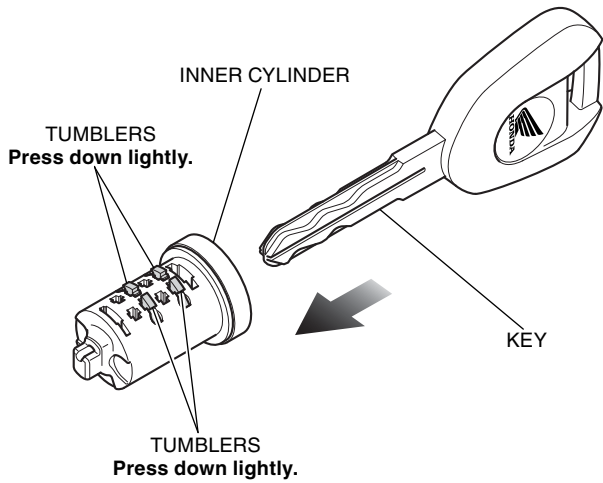


3. Install the tumblers and springs (silver) as shown.
- **First install four No.1 tumblers.**
 - **Note the installed tumbler in the chart below.**

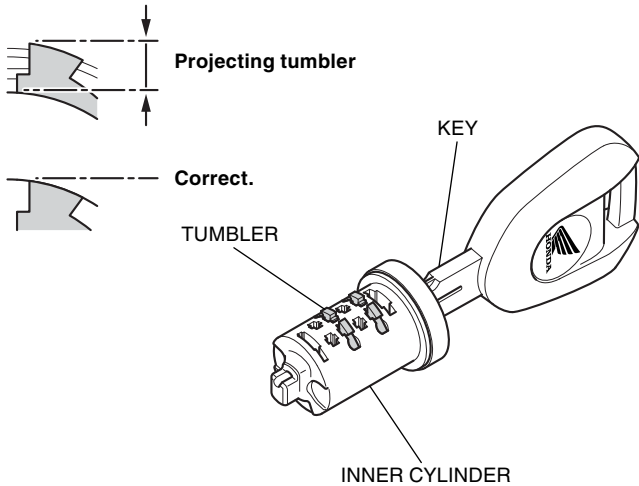


	Position A	Position B	Position C	Position D
No.1 tumbler				
No.2 tumbler				
No.3 tumbler				
No.4 tumbler				
No.5 tumbler				
No.6 tumbler				

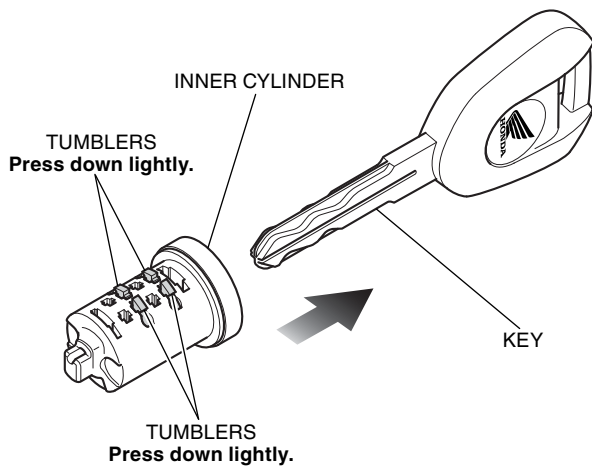
4. Insert the key as shown.
 - **Lightly press down on the tumblers from above, then insert the key.**



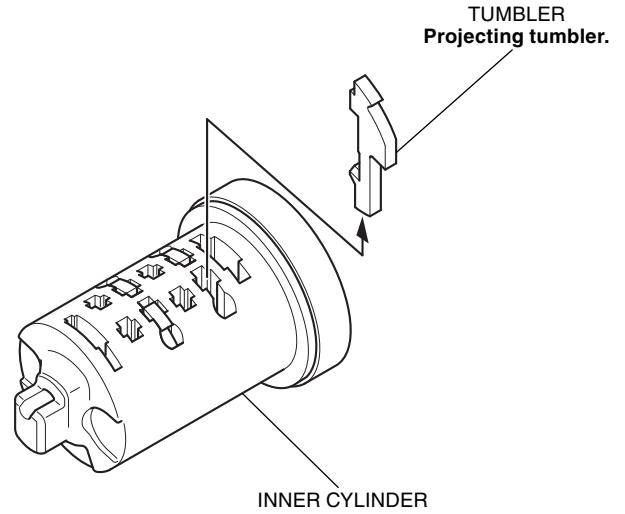
5. Confirm that some tumblers are projecting. Mark the positions of the projecting tumblers.
 - **The positions where tumblers project and the projecting height differ according to the key.**



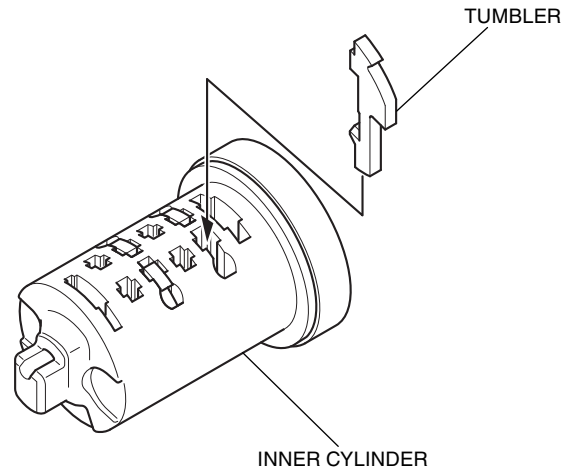
6. Press down lightly on the tumbler, pull the key out.
 - **The tumbler spring may jump out when the tumbler is not pressed down lightly.**



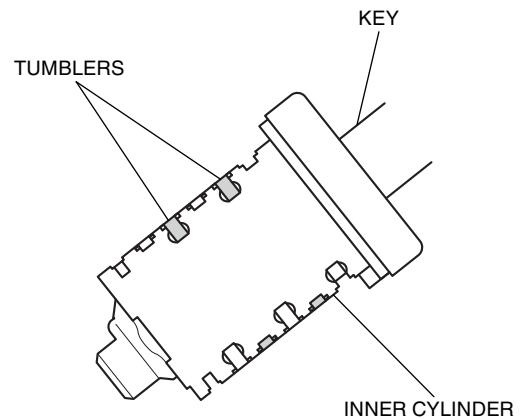
7. Pull out the projecting tumbler(s).
 - **Leave the spring(s) installed.**



8. Insert a different tumbler(s) at the marked positions.
 - **Start with No. 2 tumblers and continue sequentially.**

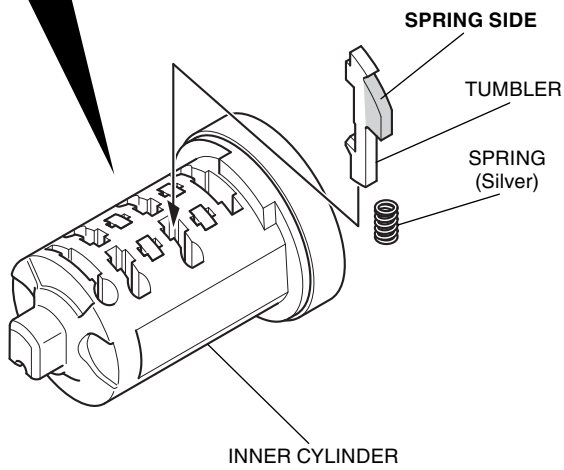
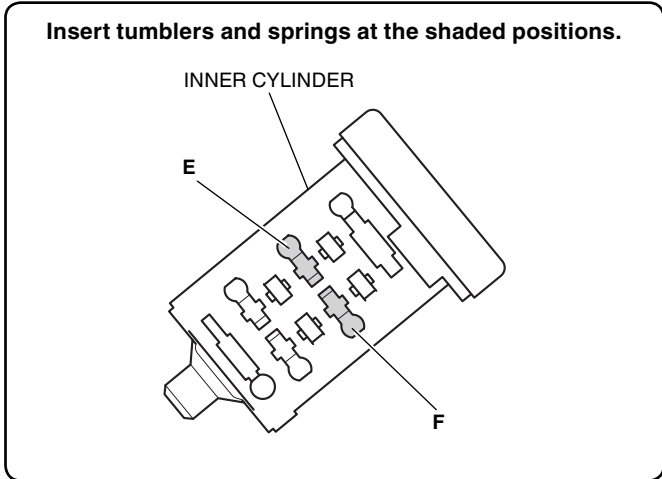


9. Repeat steps 4 to 8, inserting different tumblers at the marked positions until no tumblers are projecting.
 - **Lightly press down on the tumblers from above, then insert the key.**



10. Install the tumblers and springs (silver) to the opposite side of the inner cylinder as shown.

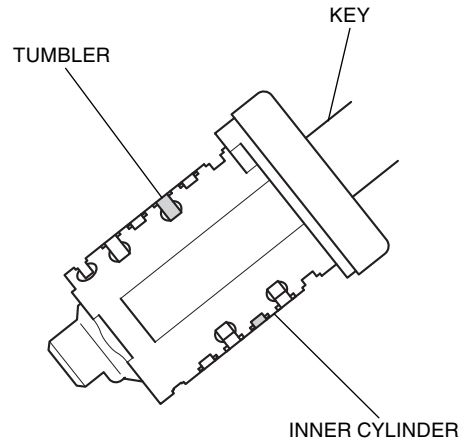
- **First install two No.1 tumblers.**



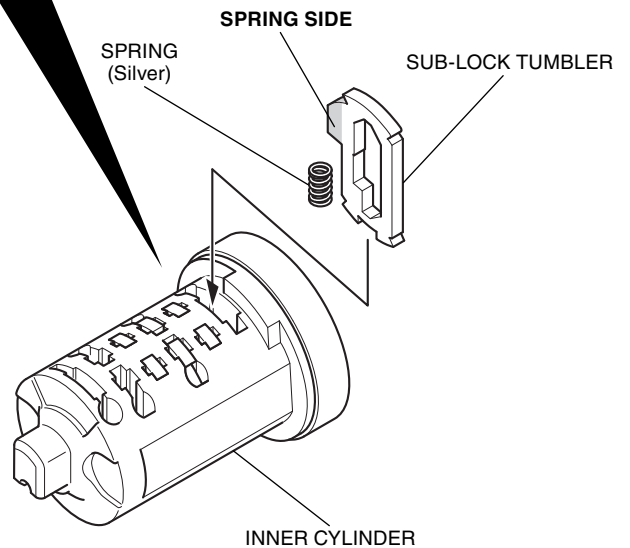
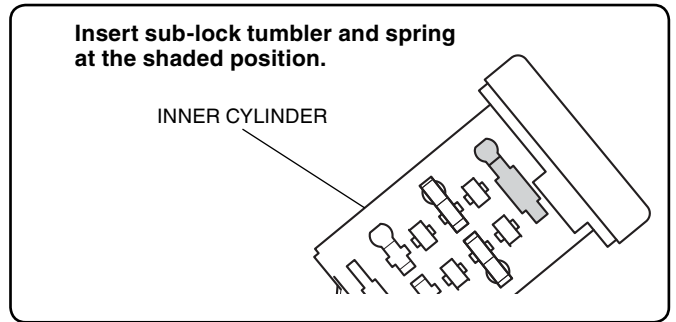
- **Note the installed tumbler to the chart below.**

	Position E	Position F
No.1 tumbler		
No.2 tumbler		
No.3 tumbler		
No.4 tumbler		
No.5 tumbler		
No.6 tumbler		

11. Use steps 4 through 8 to assemble the reverse side of the inner cylinder in the same manner.



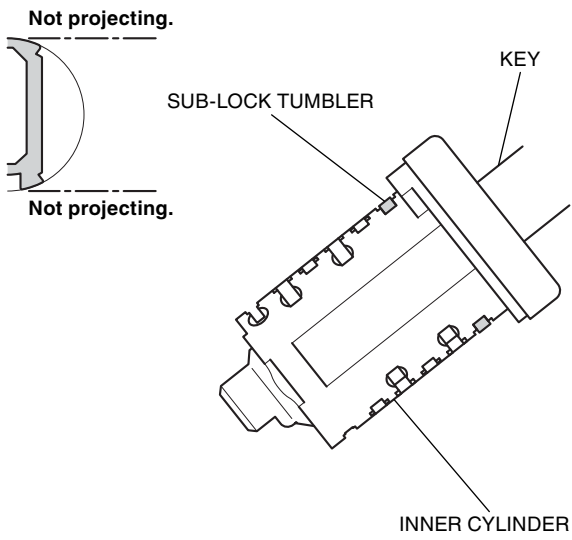
12. Install the sub-lock tumbler as shown.



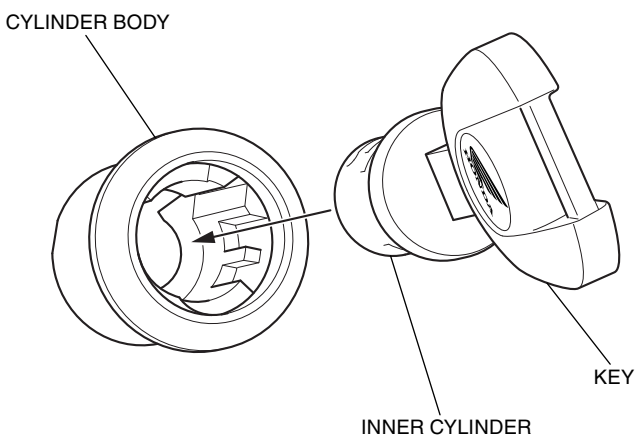
- **Note the installed tumbler to the chart below.**

Sub-lock tumbler A	
Sub-lock tumbler B	

13. Confirm the sub-lock tumbler is not projecting.
- **If the tumbler is projecting, change to another sub-lock tumbler and recheck.**

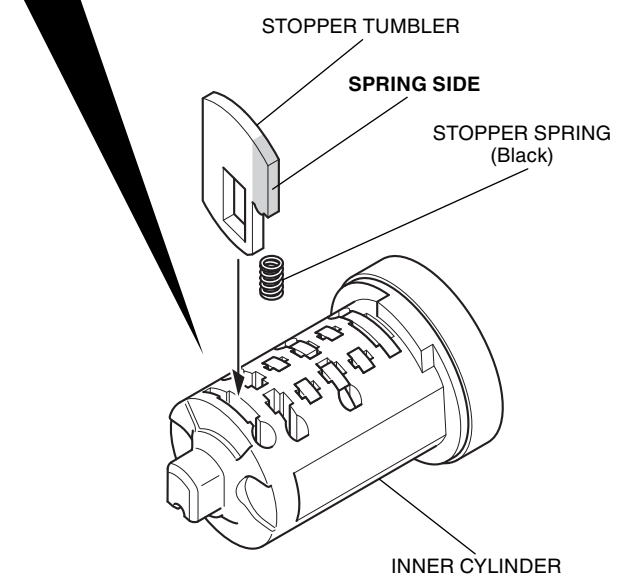
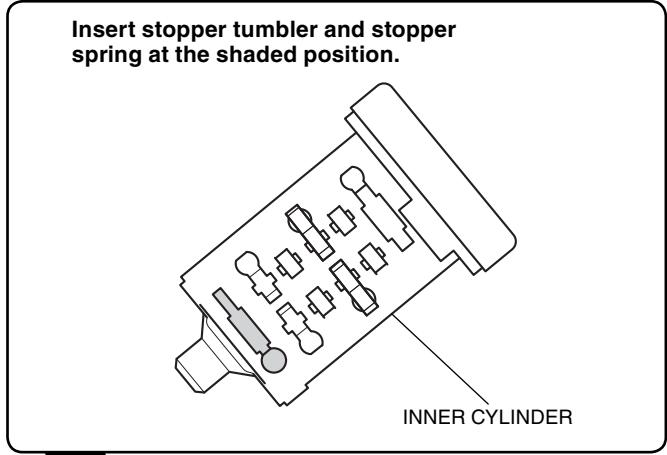


14. Insert the assembled inner cylinder into the cylinder body as shown.
- **Confirm the inner cylinder turns clockwise smoothly.**

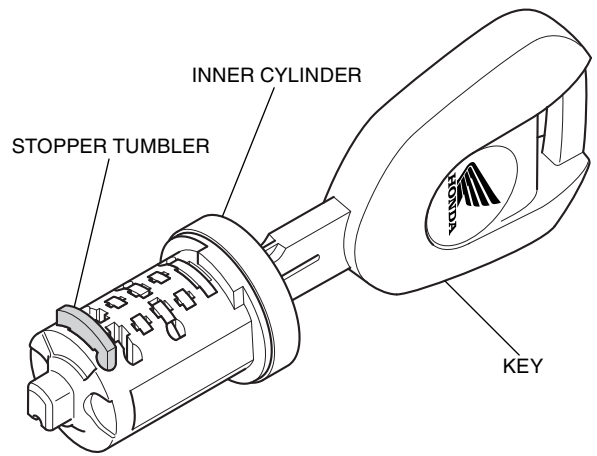


15. Pull out the inner cylinder.
16. Press down lightly on the tumblers and pull out the key.

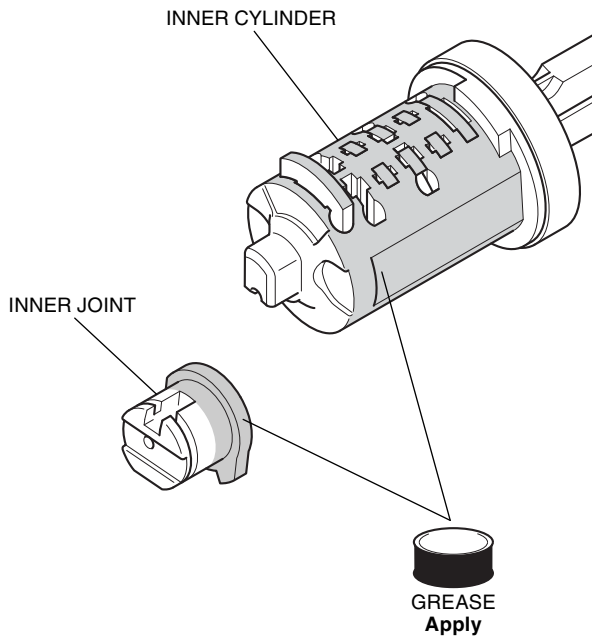
17. Install the stopper tumbler and stopper spring (black) as shown.



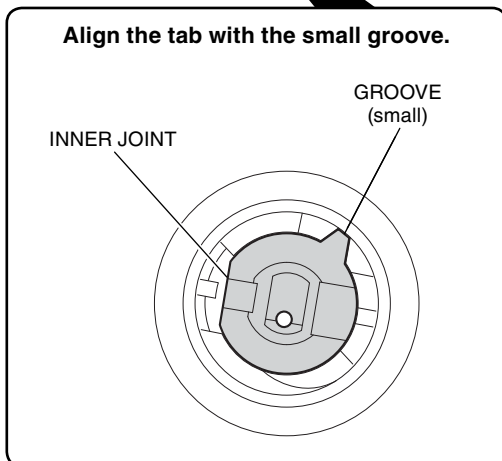
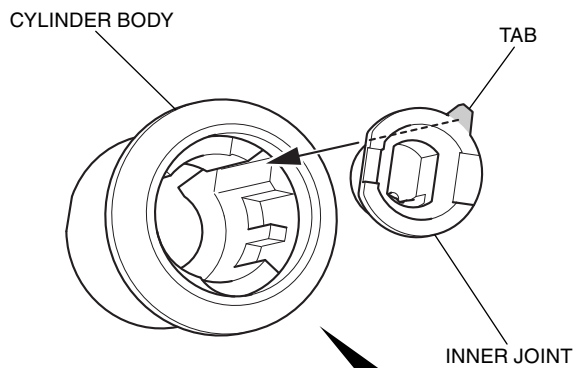
18. Insert the key as shown.
- **Lightly press down on the tumblers from above, then insert the key.**
 - **Confirm the stopper tumbler is projecting.**



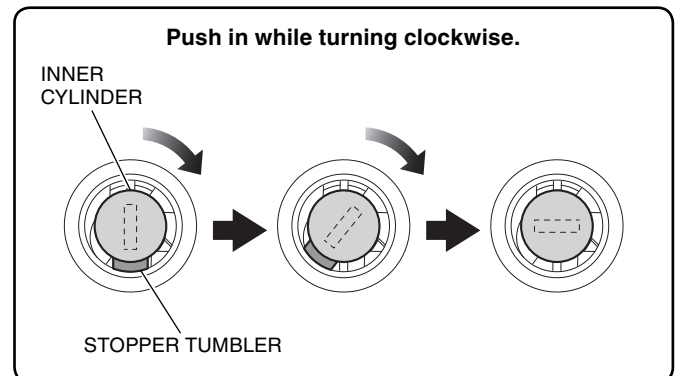
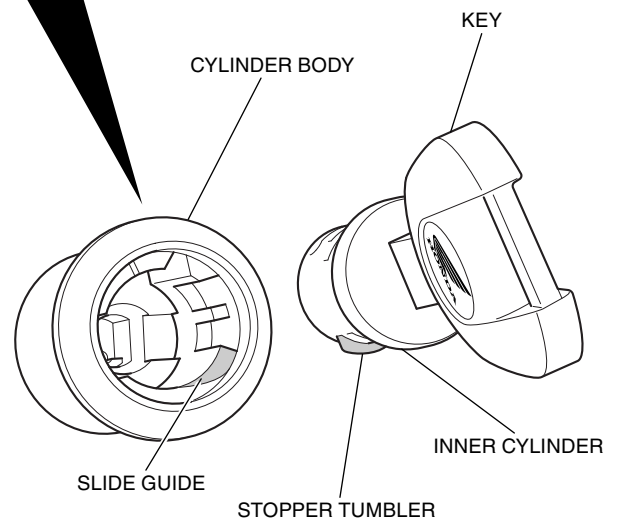
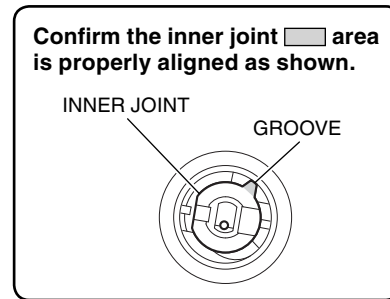
19. Apply grease to the shaded areas as shown.
- Apply to the inner joint, tumbler and to the outer circumference of the inner cylinder.
 - Only use the supplied grease.



20. Install the inner joint into the cylinder body as shown.



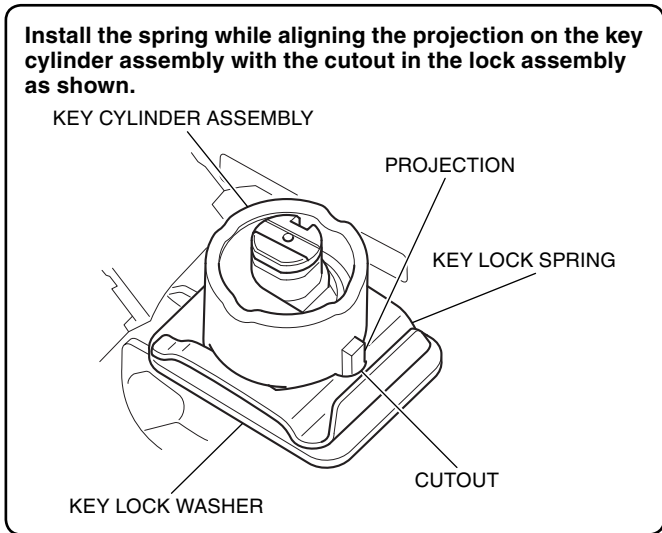
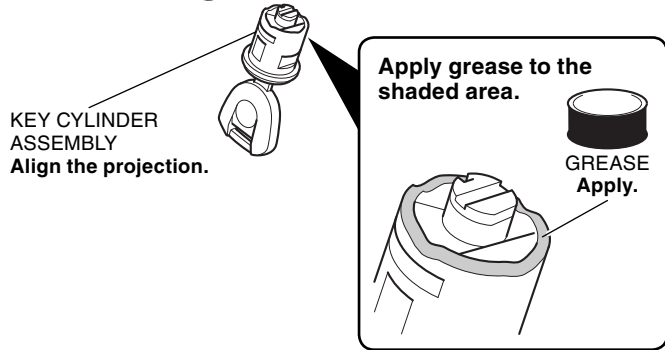
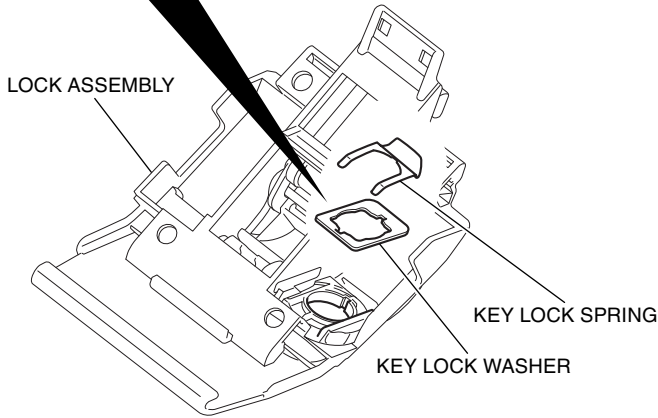
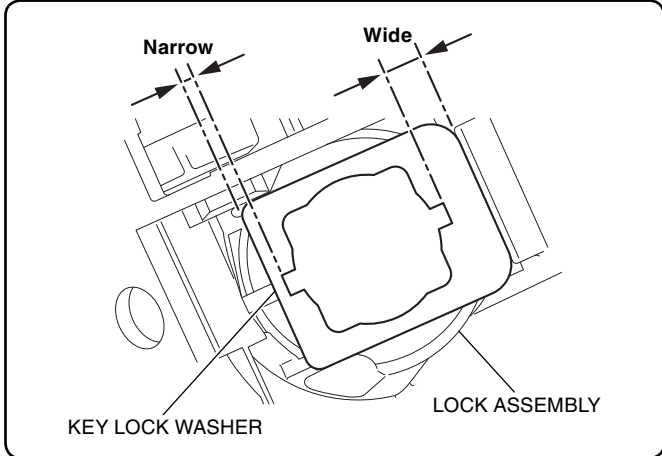
21. Install the inner cylinder by sliding the stopper tumbler along the slide guide while rotating it.
- If the inner cylinder cannot be inserted, confirm no tumblers, other than the stopper tumbler, are projecting.



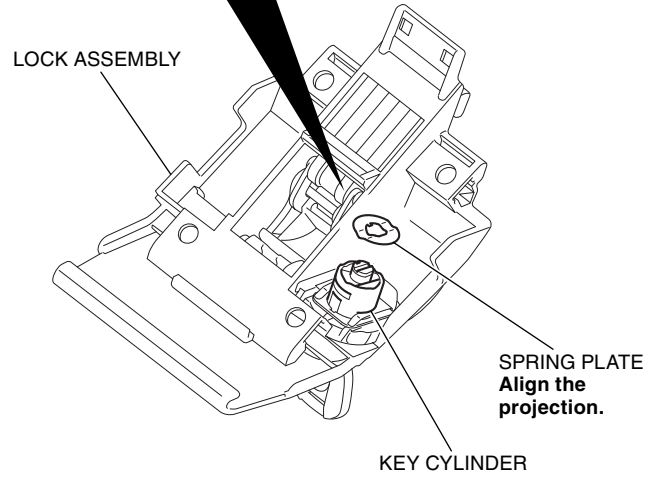
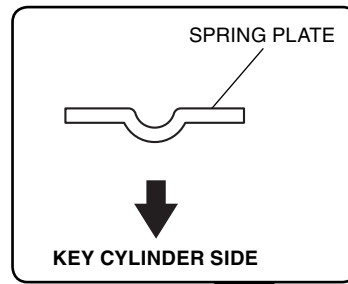
22. Pull out the key and check that the inner cylinder does not come out.

23. Insert the key and attach the assembled key cylinder to the lock assembly as shown.

- **Only use the supplied grease.**

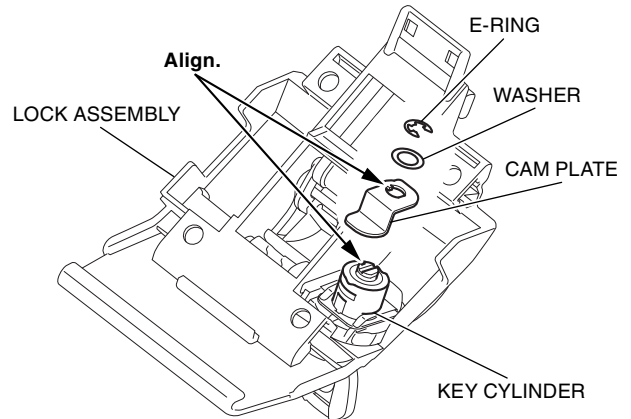


24. Install the spring plate as shown.



25. Install the cam plate, washer and e-ring as shown.

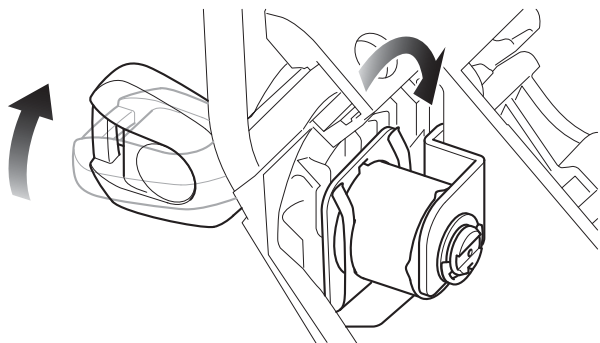
- **Align the projection on the cam plate with the cutout in the inner joint.**



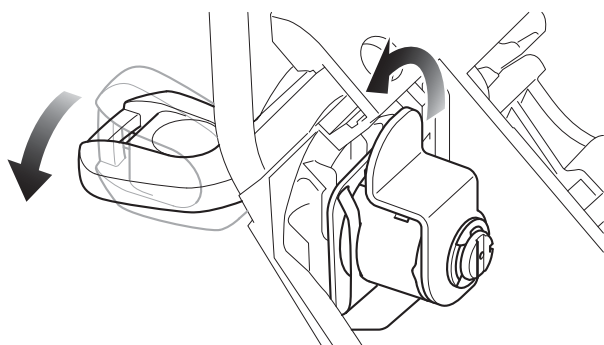
26. Turn the key and check the key lock system as shown.

- If the key lock system is not operational, reassemble the key cylinder.

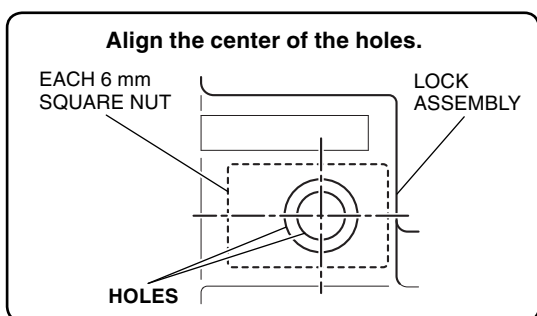
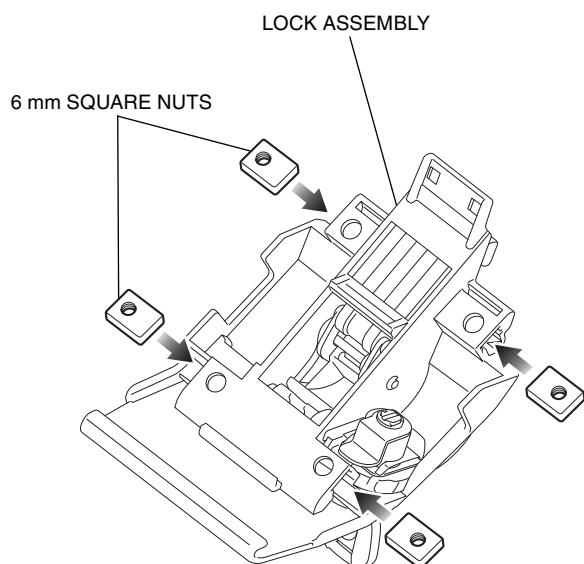
<LOCK>



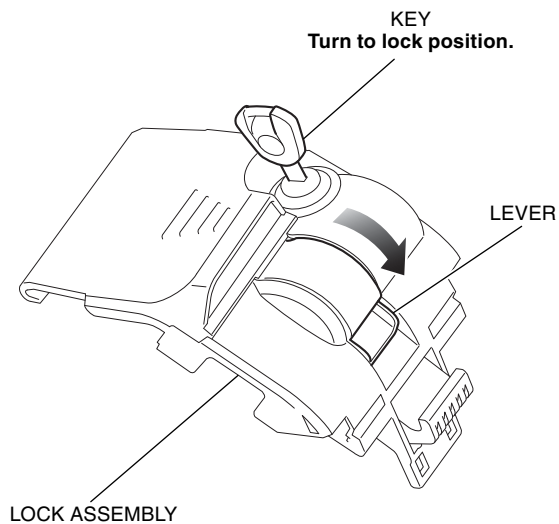
<UNLOCK>



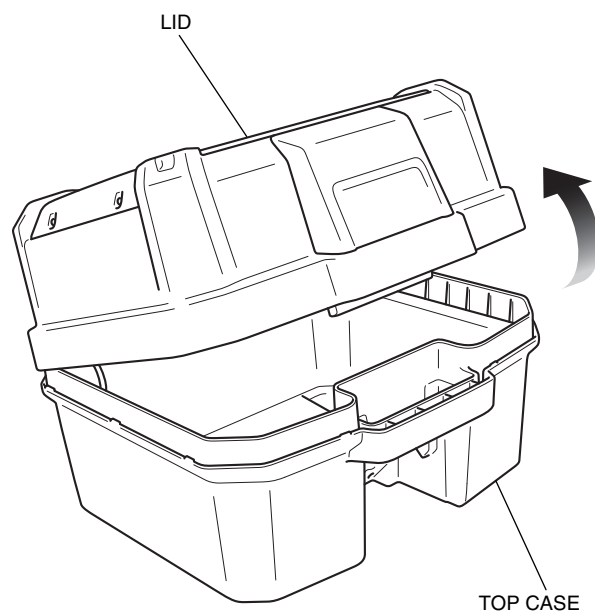
27. Install the 6 mm square nuts as shown.



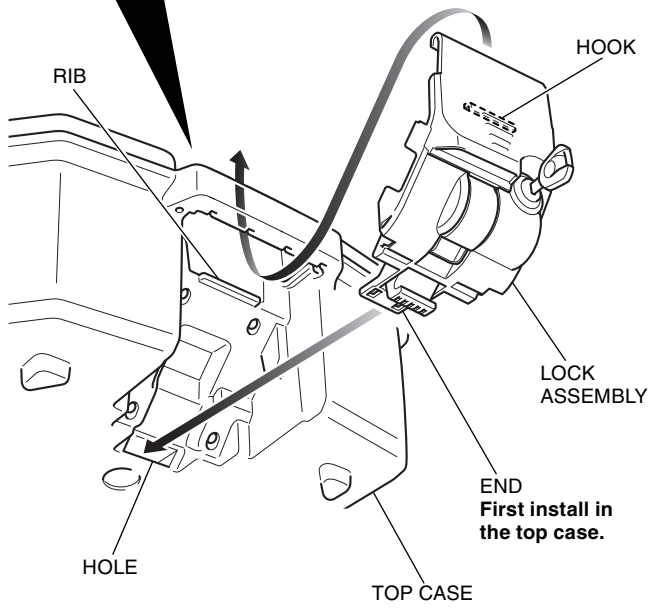
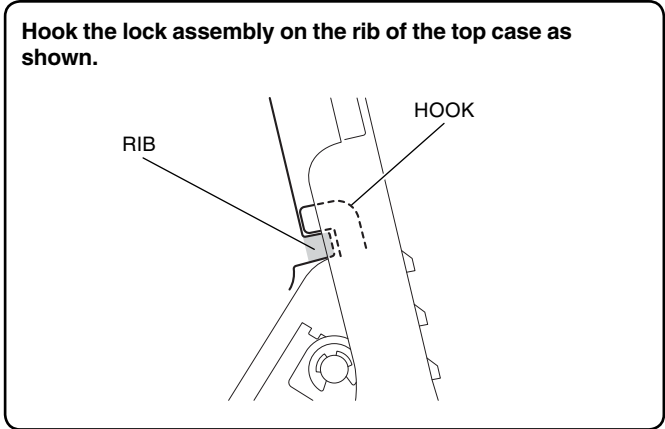
28. Lower the lever and turn the key counter-clockwise as shown.



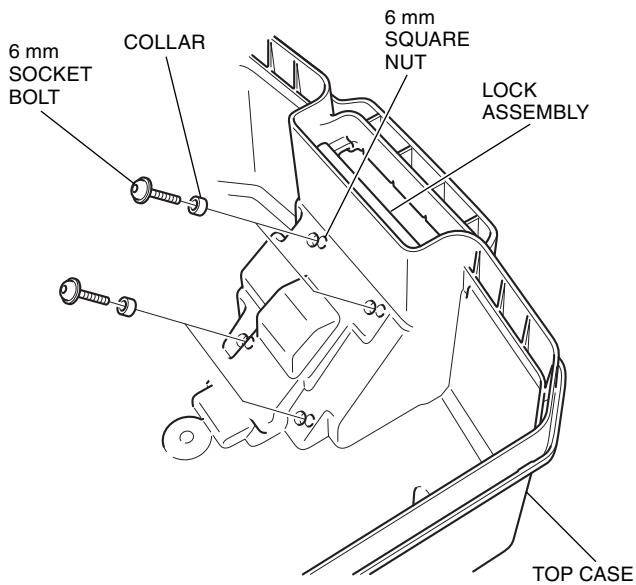
29. Open the lid.



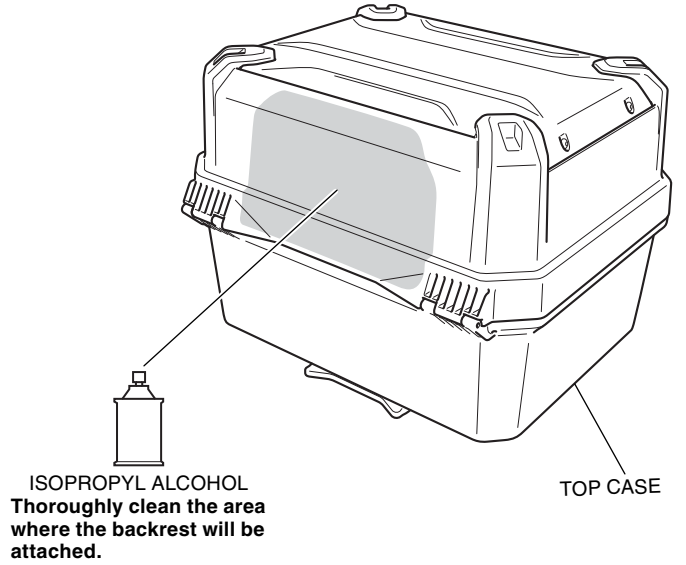
30. Install the lock assembly lightly into the top case as shown.



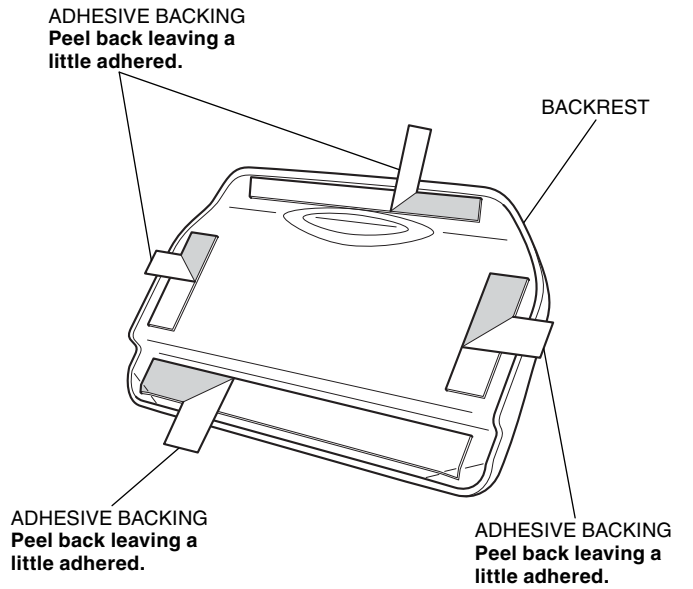
31. Secure the lock assembly as shown.



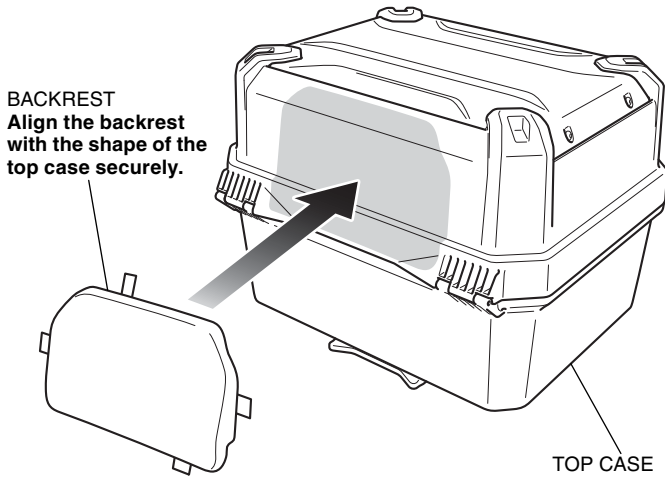
32. Clean the surface of the area shown using isopropyl alcohol.



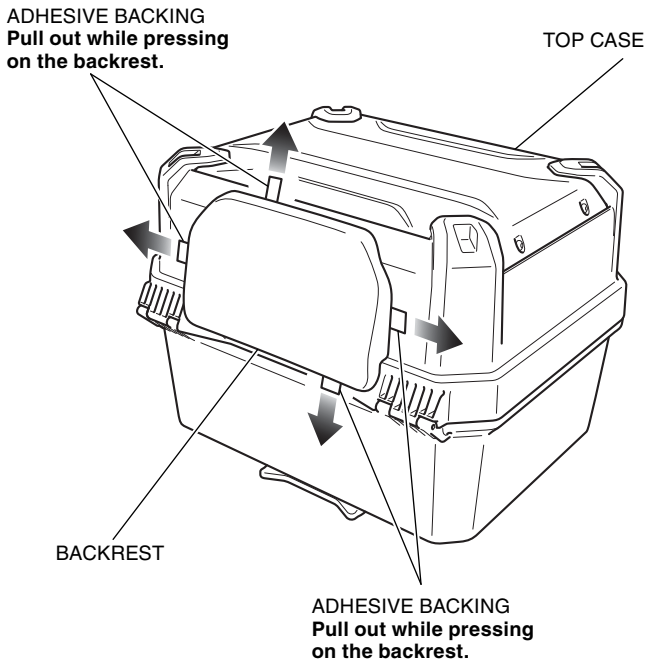
33. Peel off the adhesive backing on the inner side of the backrest as shown.



34. Install the backrest as shown.



35. Pressing the backrest with the palm of your hand, remove the adhesive backings from the inner side of the backrest and attach the backrest securely.



36. Apply adequate pressure to the attached backrest.

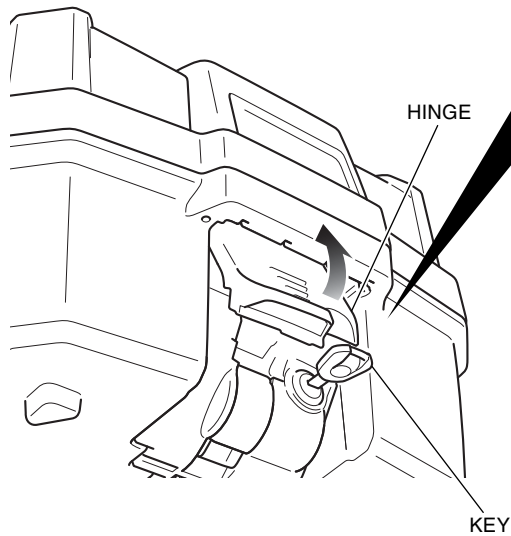
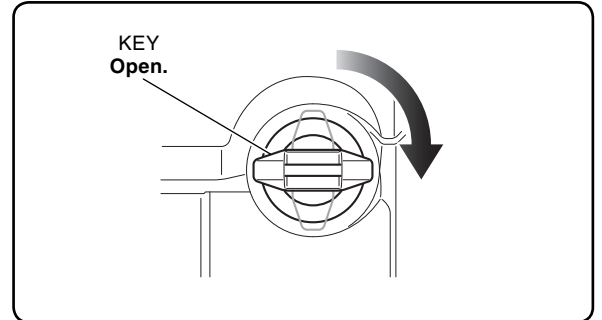
USING THE TOP CASE

▲ CAUTION

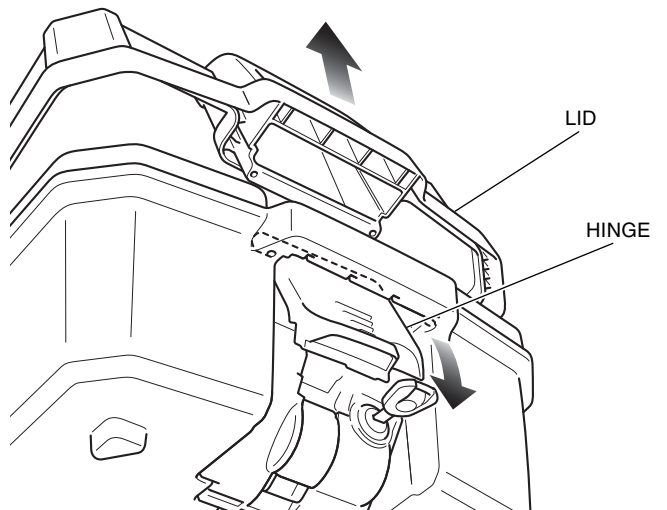
- To prevent burns, allow the engine, exhaust system, radiator, etc., to cool before installing and removing the accessory.

How to Open the Top case

1. Operate the lock mechanism as shown and pull the hinge up.

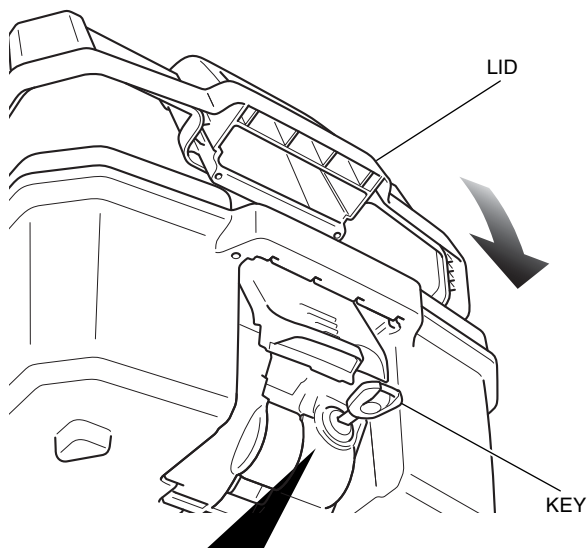


2. Move the hinge down, then open the lid as shown.

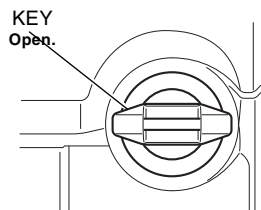


How to Close the Top case

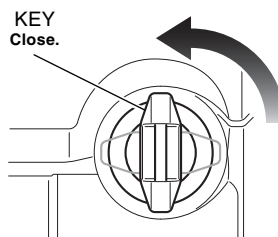
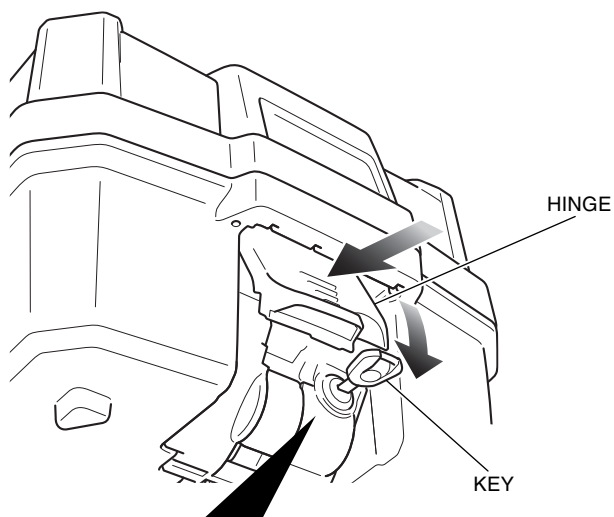
1. Close the lid.



Confirm the key position is as shown.



2. Holding the upper part of the hinge, push the hinge down and turn the key counter-clockwise as shown.

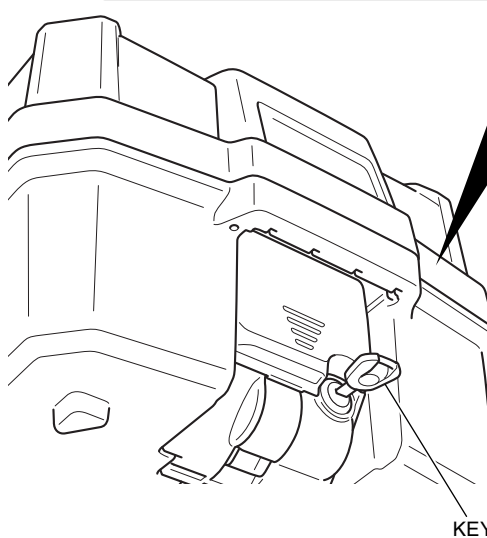
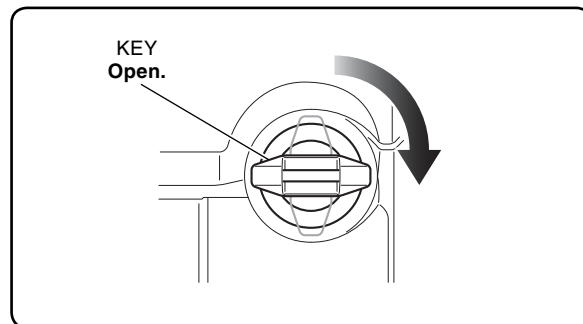


3. Remove the key.
 - Make sure the lid is locked down securely.

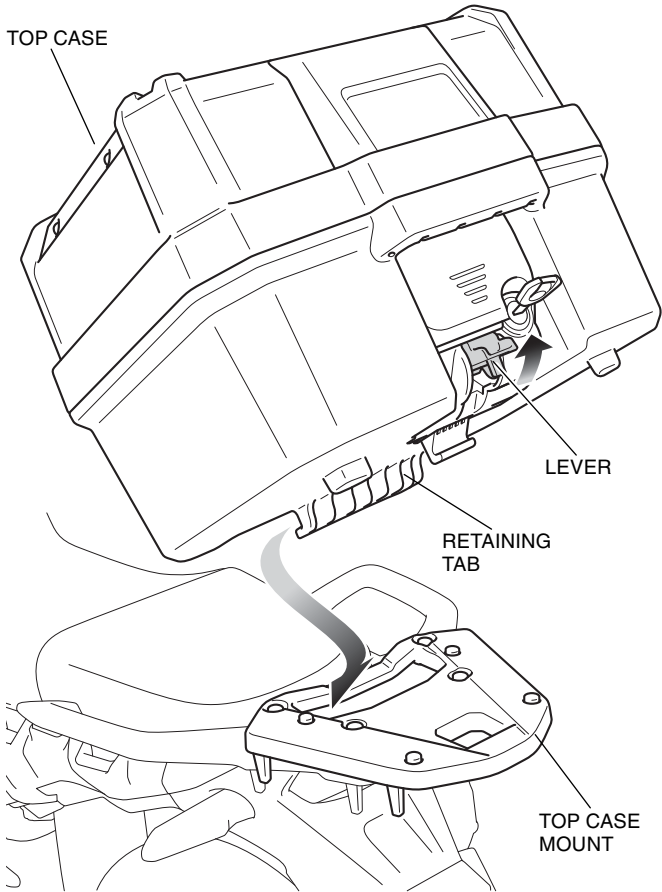
How to Install the Top case mount

NOTE:

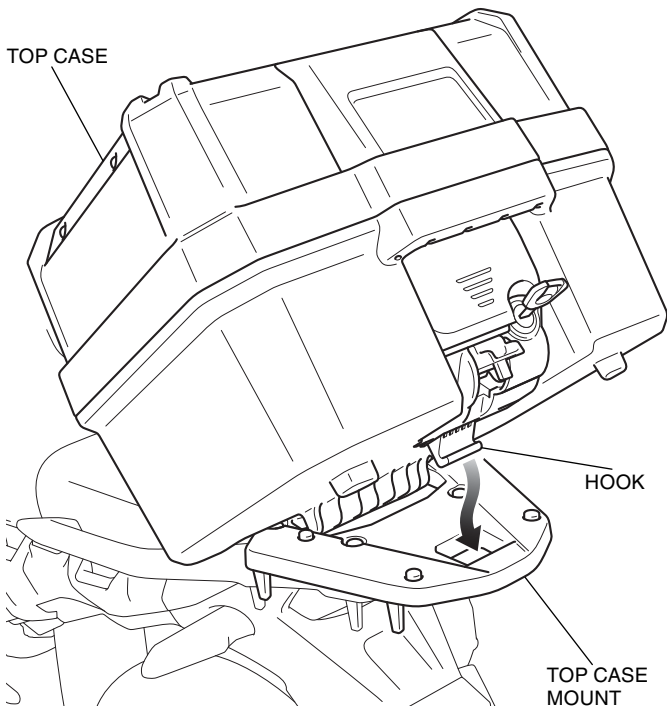
- The top case mount is required for installation of this accessory.
1. Install the separately sold top case mount using the top case mount installation instructions.
 2. Insert the key as shown and release the lock by turning the key clockwise.



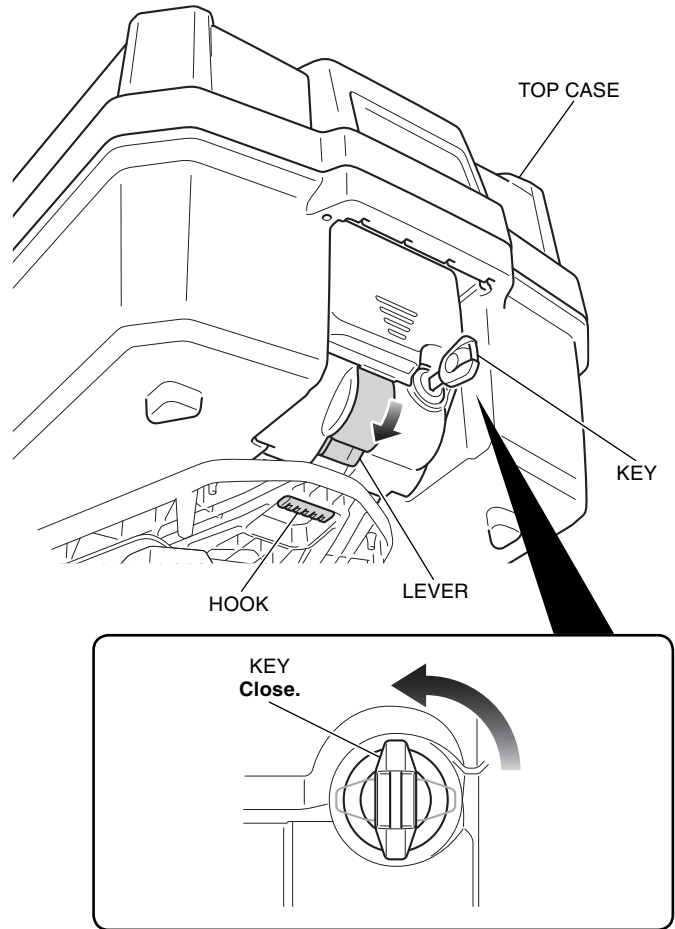
3. Insert the retaining tab of the top case into the top case mount with the lever in the raised position as shown.



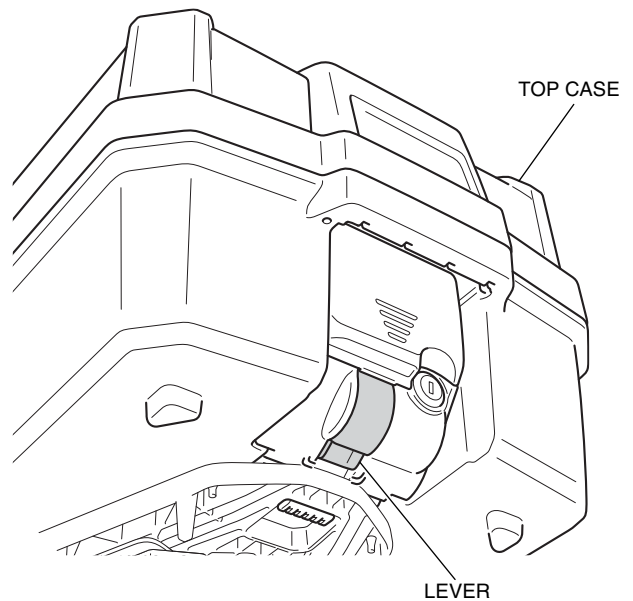
4. Position the hook of the lock assembly on the top case mount as shown.



5. Secure the hook by pressing the lever down as shown, then lock with the key.



6. Remove the key. Be sure the lever cannot be released and the top case is installed securely.
- **The top case can come off while riding if it is not mounted securely.**



How to Remove the Top case

1. Remove the top case in the reverse order of installation.