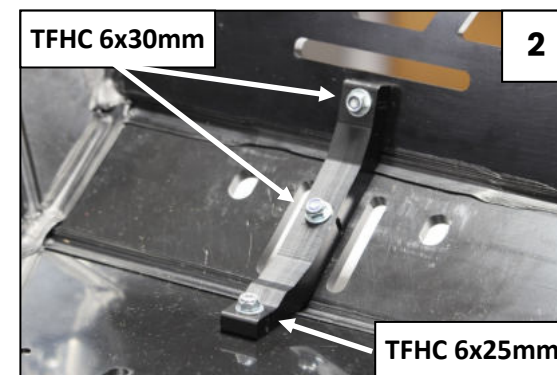
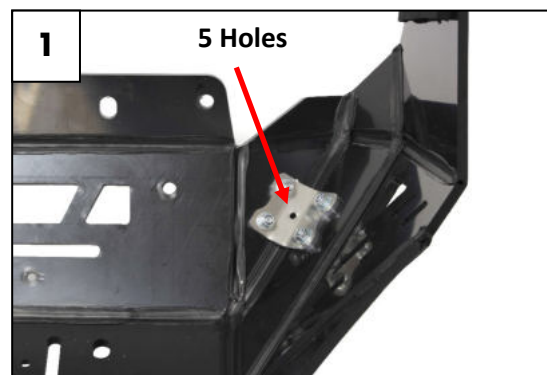
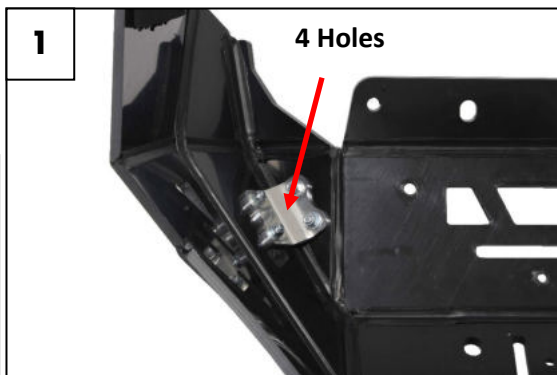




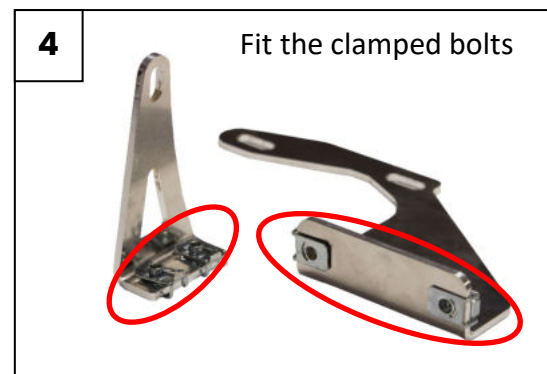
AX1623

ADV SKID PLATE « TOURING »
HUSQVARNA NORDEN 901

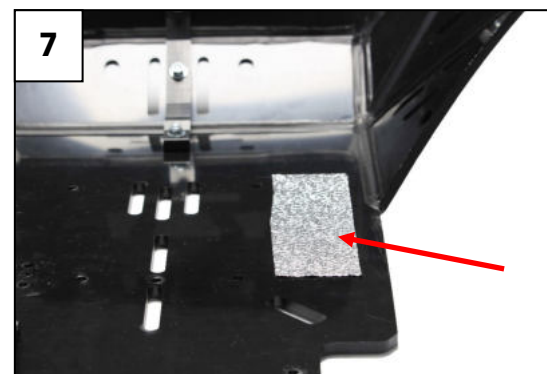
- 8 NE01-02-002 Tfhc 6x20mm
- 4 NE01-04-002 Clamped bolt
- 13 NE01-04-003 Em6f
- 13 NE01-03-001 M6 Washer
- 4 NE01-11-001 Special screw
- 5 NE01-02-003 Tfhc 6x25mm
- 2 NE01-02-004 Tfhc 6x30mm
- 2 NE01-01-010 Tbh 8x16mm
- 3 NE01-03-002 M8 Washers
- 1 NE01-06-022 Th 8x50mm
- 1 PM03-04-107 Alloy bracket R
- 1 PM03-04-108 Alloy bracket L
- 1 PM03-04-109 Rear fixation R
- 1 PM03-04-110 Rear fixation L
- 2 NE09-01-001 Silent blocs
- 1 PM01-08-001 Mud Guard
- 1 NE04-01-198 Decal kit
- 1 PM01-05-015 Plastic 20mm bloc
- 1 NE13-01-001 Foam 200x100mm
- 1 PM03-01-021 13mm alloy spacer



Start by fitting the 4mm thick alloy brackets with TFHC 6x20mm and bolts. Be careful, the « 4 holes » plate goes on the left, the « 5 holes » plate goes on the right.



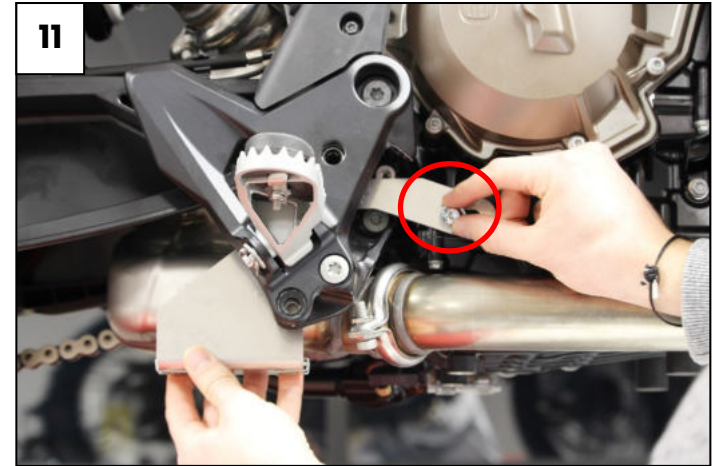
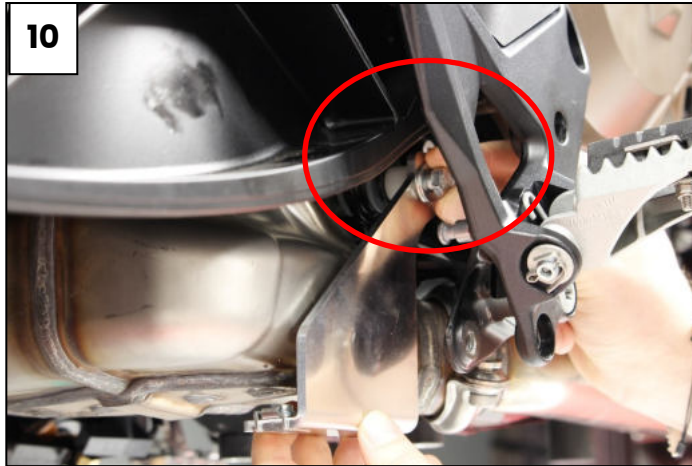
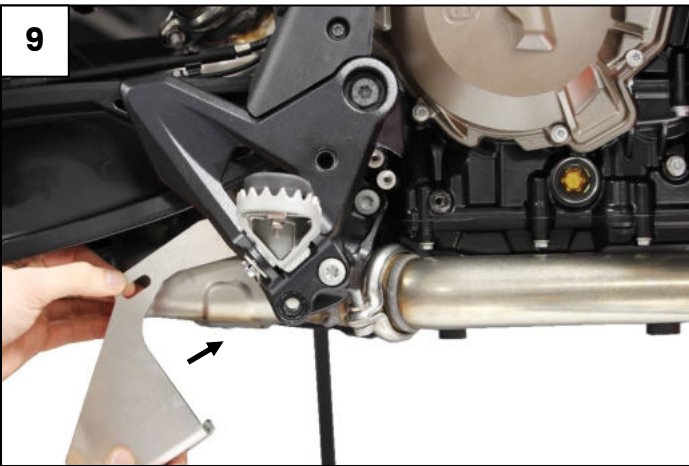
Put the silent blocs in place



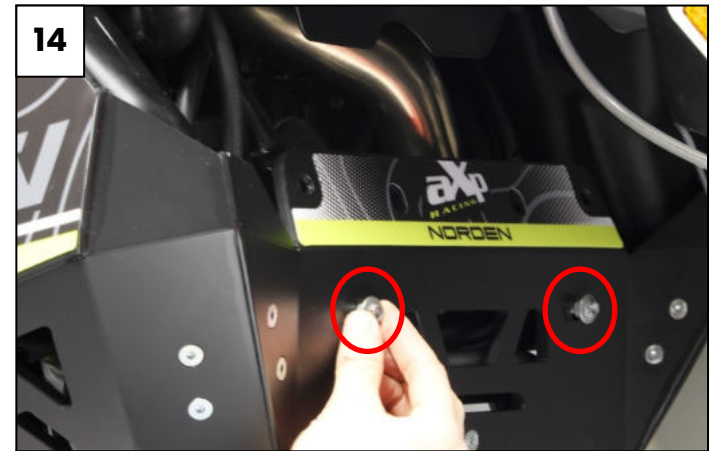
Anti heating decal



Remove the break pedal

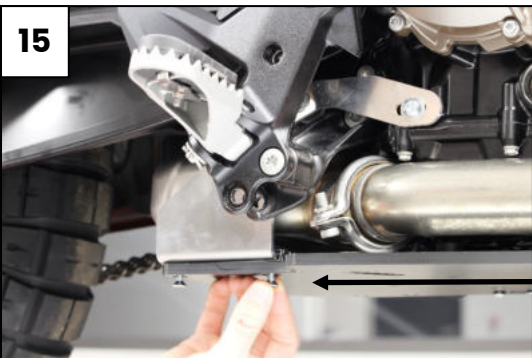


Pass the alloy bracket behind the footpeg (9), use the 13mm spacer between the plate and the exhaust and place the 8x50mm screw and M8 Washer to bolt the part in the catalyst hole. (10) Don't tight it yet and place the 8x16mm screw on the front point (11). Go to the next step without tightening anything

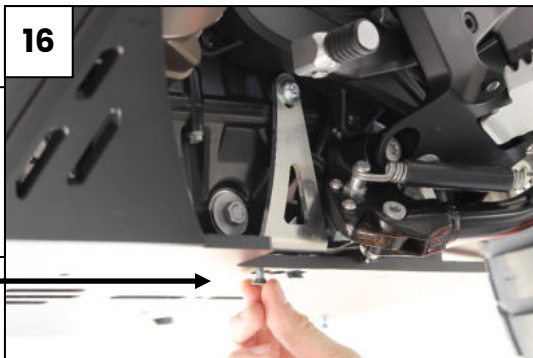


Place the alloy bracket with the 8x16mm screw without thightening it

Place the skid plate by positioning only the 2 screws



Place the screws without tightening them : Tfhc 6x25mm

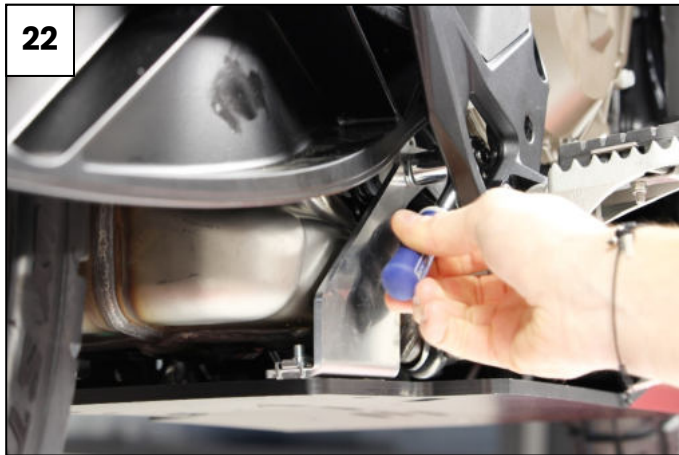


Place the mud guard with the two screws





Tight all four front screws **(18)** Tight the rear fixation points on left **(19)** and right side **(20)**



Tight all the others screws : The 8x16mm on left side **(21)** the 8x50mm and the 8x16mm on the right side **(22-23)** and it's done !

SCAN THE QR CODE TO WATCH THE
TUTORIAL VIDEO



YouTube